

eurológik70

Discover the leading high performance, sustainable window system



All together better

Introducing Eurocell **eurologik70**

A profile system designed for enhanced aesthetics and ease of fabrication



Note: Green sections show post-consumer recycled PVC-U. For illustration purposes only

The Eurocell **eurologik70** profile system combines leading energy efficiency performance and aesthetics with ease of use, for the ultimate system. **eurologik70** is specially designed for ease and speed of fabrication and fitting, featuring a unique, patented knock-in bead system. Ideally suited for new build or replacement windows, its 70mm front-to-back dimension enables the seamless replacement of timber frames.

eurologik70 is designed for improved aesthetics and clean sight lines, with its unobtrusive gasket line and slim profile. The profile design features multiple chambers to enhance thermal efficiency and strength, and improve drainage. Available with chamfered or sculptured ovolo beads in a range of colours, **eurologik70** window profiles add a touch of distinction to any home.

Leading energy efficiency

Maximising the thermal performance of windows is vital to meet rising regulatory and customer demands. The advanced multi-chambered design of the main **eurologik70** profiles (including the optional six-chamber slim outer frame system) and innovative PVC-U Thermal Inserts work together to lock in heat. This means our 'A'-rated windows offer market-leading double-glazed unit performance and value.

Exceptional air tightness and weathering performance

The post co-extruded (PCE) gaskets on **eurologik70** profiles use a specially developed compound and twin-leg profile connection system with one-way support arm. This provides excellent

adhesion to the main profiles. Tested to BS6375, the gasket system achieves outstanding air tightness and weathering performance, improving energy efficiency further by minimising air leakage.

A sustainable choice

Two versions of **eurologik70** are available. The traditional version continues to be made from 100% virgin PVC-U. The second, more sustainable option, features post-consumer recycled PVC-U in the central core of the profile with 100% virgin PVC-U external faces. This ensures the same aesthetics and technical performance but with more environmentally responsible benefits for today's discerning customers.

Advanced performance

Leading technical and sustainability performance for the complete solution



All together better

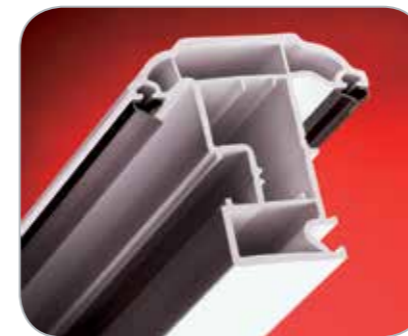
Why fabricate **eurologik70**?

- ✓ Independently certified by the BBA for peace of mind
- ✓ Single reinforcement for main frame and transoms
- ✓ Continuous reinforcement when reverse-butt welding
- ✓ Common glass sizes for internal / external glazed windows and doors
- ✓ Integral capillary groove on all inward opening frames
- ✓ Easy clean internal rebates, common throughout

Why install **eurologik70**?

- ✓ Comprehensive range of ancillaries
- ✓ White, Cream, Slate Grey†, Anthracite Grey†, Rosewood, Golden Oak, Irish Oak* and White Ash* finishes available
- ✓ Separate chambers for improved drainage, thermal efficiency and strength
- ✓ Fully bevelled for a slim visual profile and clean sight lines
- ✓ System accepts both 28mm and 36mm glazing thicknesses
- ✓ Eurocell **eurologik70** carries full BBA accreditation, enabling you to specify with confidence

Benefits of **eurologik70**



Full depth eurogroove for maximum hardware compatibility



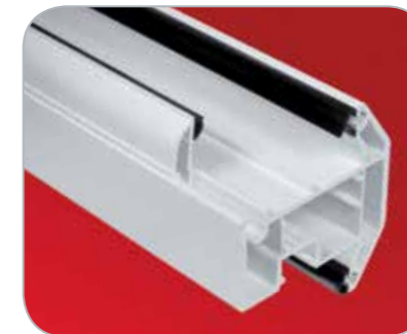
Soft line bevel feature, common throughout the range of profiles, is matched by the bead



Single hinge and espagnolette location in sashes for ease of fabrication



The special compound PCE gasket offers market leading adhesion, air tightness and weathering performance



Unique patented knock-in bead system, available with 28mm and 36mm putty line and Ovolo beading options



Assessment report numbers 2480 (Chamfered) and 2663 (Ovolo)

* White Ash and Irish Oak finishes are available in Ovolo style only. † Slate Grey and Anthracite Grey finishes are available in Chamfered style only.

System flexibility

A wide range of window and door styles possible



Eurocell Irish Oak casement windows, roofline and entrance door



White casement windows with mock horn sash and external Georgian bars

eurowall70 is available in the contemporary Chamfered and the traditional fully-sculptured Ovolo styles, for your freedom of choice. A full range of window and door profiles is available for both suites:

Style with substance

A choice of design options and finishes to suit any property



Casement windows



Tilt & turn windows



French windows



Residential doors



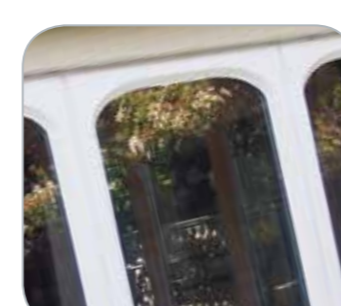
French doors



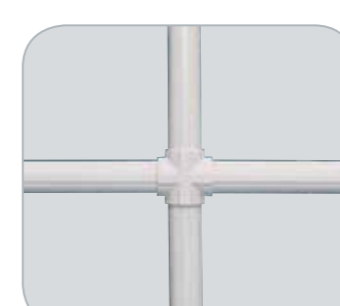
Ovolo bead



Mock horn sash



Arched tops



Georgian bar
Internal also available

Colours to frame the view



† Slate Grey and Anthracite Grey finishes are available in Chamfered style only
* White Ash and Irish Oak finishes are available in Ovolo style only
Special colours are also available on extended lead times

eurologik70 and Thermalogik

'A' winning combination



Advanced six-chamber design for improved thermal efficiency

Advanced design for superior thermal performance

With its advanced six-chamber design, the Thermalogik outer frame contributes to making your overall window more energy efficient. Fully compatible with **eurologik70** profiles, the result is market-leading 'A'-rated windows.

Enhanced aesthetics for a brighter outlook...

Not only does the innovative Thermalogik profile system perform better than standard 70mm window profiles, it looks better too. Slimmer than standard systems, Thermalogik gives any window a sleek, contemporary appearance, increasing the area of glass for improved sight lines and brighter interiors. Available in our sculptured Ovolo or contemporary Chamfered styles and a range of colours and woodgrain finishes, there's a Thermalogik profile to suit every project.

... at no extra cost

What makes Thermalogik so special is that it costs no more than the standard **eurologik70** outer frame. This is because our advanced six-chamber outer frame system is a single-piece profile. So now there's no cost barrier to installing the highest energy efficiency-rated profiles – every time.

A+ thermal performance

A+12 Window Energy Rating (WER) certificate achieved using Thermalogik and **eurologik70** profiles, along with PVC-U Thermal Inserts – offering market-leading double-glazed window performance (when using argon gas).

eurologik70 is also capable of an A+14 rating (double-glazed) and an A+31 rating (triple-glazed, using krypton gas). Contact us for more details.

A-rated

Eurologik70 casement window with Thermalogik outerframe



1.3 u value
0.47 solar factor

*A' rating achievable. The actual energy consumption for a specific application will depend on the building, the local climate and the indoor temperature. Official certification available.

Above

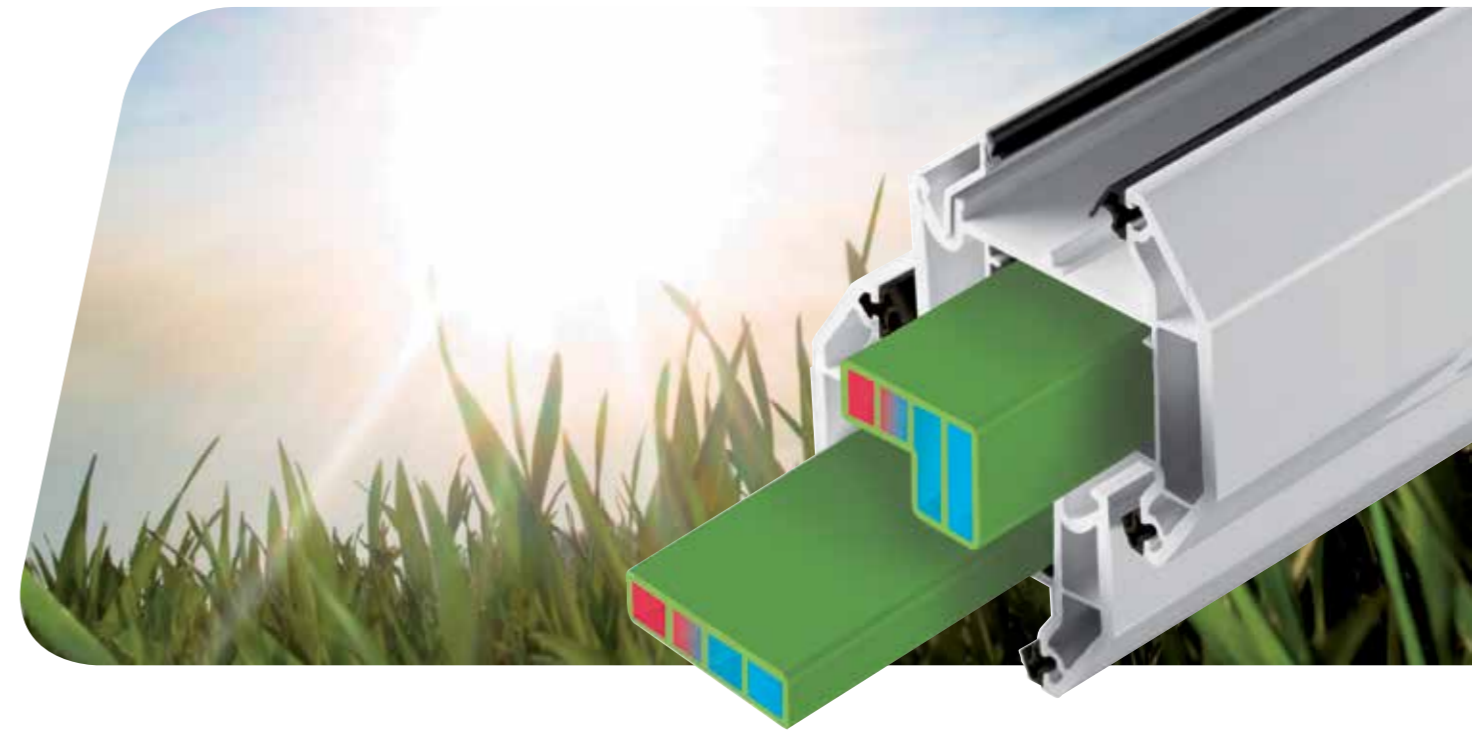
The Eurocell **eurologik70** window has achieved an A+12 rating for maximum energy efficiency

PVC-U Thermal Inserts

– offer you more for less



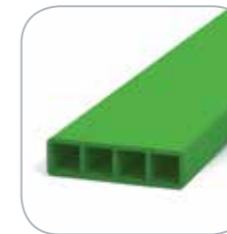
All together better



PVC-U Thermal Inserts components list



EWS 800P
For use with Thermalogik outer frames (EWS 7001 & EWS 7701)



EWS 801P
For use with transom T (EWS 7002 & EWS 7702) and transom Z (EWS 7003 & EWS 7703)



EWS 805P
For use with sash T (EWS 7005 & EWS 7705) and sash Z (EWS 7004)



EWS 831P
For use with large main frame (EWS 7006 & EWS 7706)



EWS 821P
For use with intermediate transoms T (EWS 7022 & EWS 7722) and Z (EWS 7023 & EWS 7723) and intermediate outer frames (EWS 7021 and EWS 7721)

Benefits of PVC-U Thermal Inserts

PVC-U Thermal Inserts for **eurologik70** profiles are the sustainable way to improve your window energy efficiency. The multi-chambered design delivers significantly improved thermal performance, more efficient fabrication and 20% lighter weight than windows with conventional steel reinforcements.

Note - PVC-U Thermal Inserts are shown in green for illustration purposes only.

Post-consumer recycled PVC-U **eurologik70**

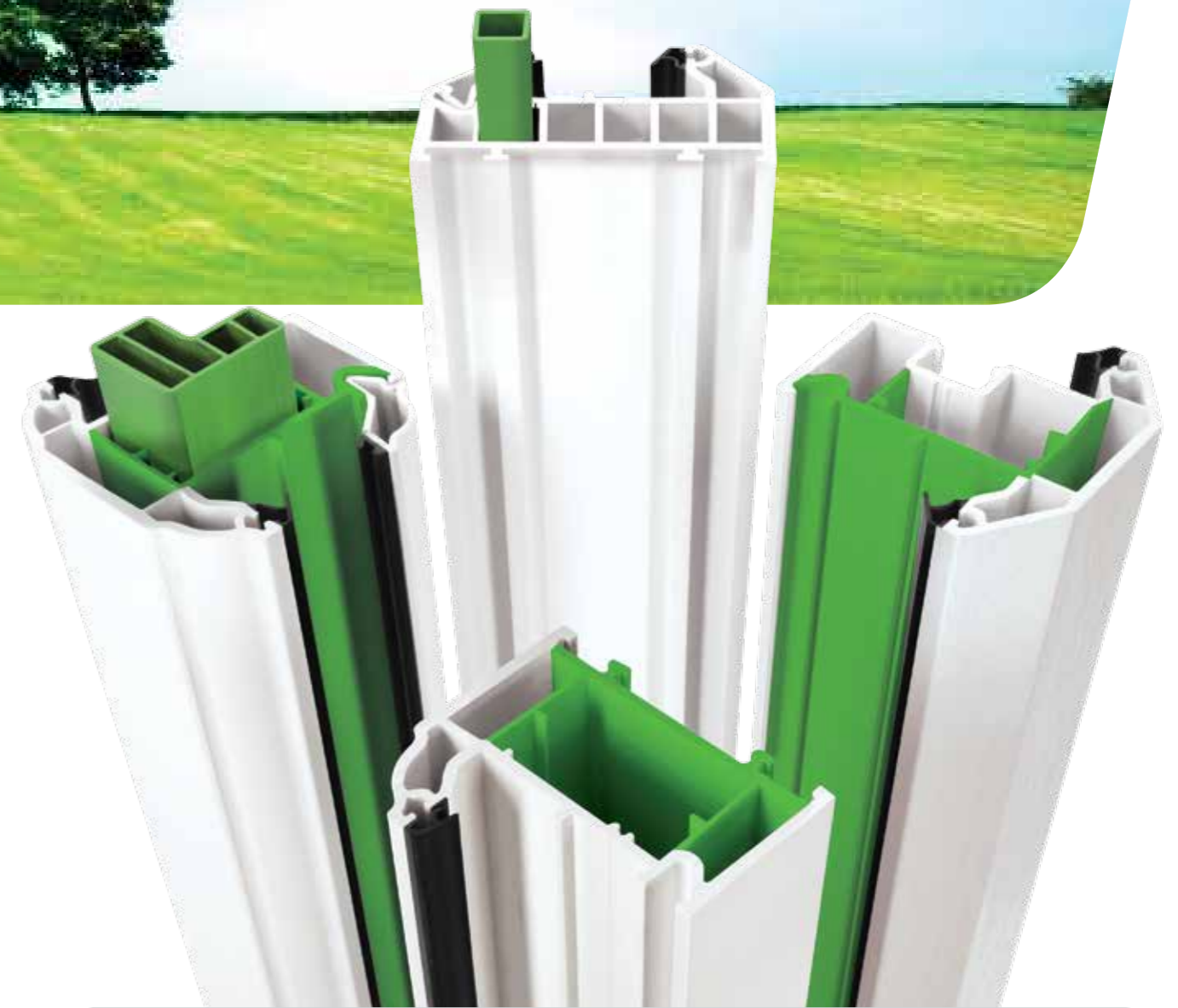
Made and recycled in Derbyshire



All together better



Sustainability is the biggest issue facing the construction industry, and conserving natural resources continues to rise in social and economic importance. That's why Eurocell has developed the post-consumer recycled PVC-U version of **eurologik70**. It offers the same benefits but with more sustainability – at no extra cost to you



The facts:

- SAME** Technical performance
- SAME** Aesthetics
- SAME** Guarantee
- MORE** Sustainable



Did you know?

- ▶ PVC-U can be recycled up to 10 times without any degradation in quality. This means that a piece of PVC-U can be used for up to 350 years!

Maximum energy efficiency

For minimum outlay on heating bills



Lock in the heat with energy rated windows



Homeowners can reap the benefits

Increasing demand for energy efficient windows

Delivering superior energy efficiency has never been more important for the construction industry and homeowners. It's an alarming fact that our homes and buildings are responsible for almost half of the UK's carbon dioxide emissions.

Windows have an important role to play in combating energy wastage, since 20% of the heat escaping from an average home is lost through its windows*.

The green option you can afford

Eurocell **eurowall70** helps builders and homeowners to meet their environmental objectives - without having to pay a premium for going green. Fitting Eurocell PVC-U Thermal Inserts in **eurowall70** profiles to boost the thermal efficiency of your windows provides better value than steel alternatives. And they are made from 100% recycled material.

Plus you can use the Thermalogik outer frame system - part of the **eurowall70** family - which enables you to exceed the thermal efficiency requirements of the Building Regulations by 35%*.

* Source: Energy Saving Trust



A guide to Window Energy Ratings (WER)

What are energy ratings?

Window Energy Ratings (WER) are a simple, clear and easily understood method of informing customers of the relative energy efficiency of a particular window. The windows are rated on an A to G scale, which is consistent with other products such as light bulbs and white goods.

How are they calculated?

The rating is determined by a formula which takes into account various factors, all of which have an effect on the overall energy performance of the window:

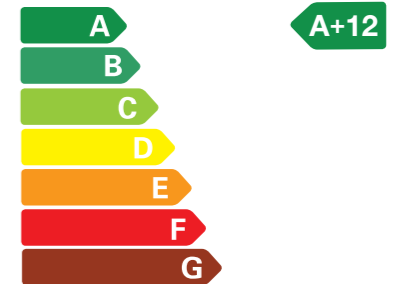
- ✓ UK Standard Domestic Occupancy
- ✓ UK Climate Data
- ✓ Thermal Transmittance (Window U Value)
- ✓ Solar Factor (G Value)
- ✓ Air Leakage (L Value)

What do WER labels tell you?

The labels are similar to those currently used on other household appliances, an A-rated window is the most efficient, with G the least efficient.

A-rated

Eurologik70 casement window with Thermalogik outerframe



1.3 u value
0.47 solar factor

'A' rating achievable. The actual energy consumption for a specific application will depend on the building, the local climate and the indoor temperature. Official certification available.

eurologik70 thermal performance

Specification comparisons

eurologik70 with PVC-U Thermal Inserts reinforcing performance table

System	Config	Glass 1 (External)	Glass 2 (Internal)	Gas Fill	Spacer Bar	Reinforcing	WER	Energy Index	U Value
eurologik70	4/20/4	SG Diamant	SG Planitherm Total Plus	Argon	Swisspacer V	PVC-U TI	A	7	1.4
eurologik70	4/20/4	Float	SG Planitherm Total Plus	Argon	Swisspacer V	PVC-U TI		3	1.4
eurologik70	4/20/4	Pilkington Optiwhite	Pilkington K OW	Argon	Superspacer	PVC-U TI		4	1.5
eurologik70	4/20/4	Float	SG Planitherm Total Plus	Argon	Aluminium	PVC-U TI	B	-9	1.5
eurologik70	4/20/4	Float	Pilkington K OW	Argon	Superspacer	PVC-U TI		-3	1.5
eurologik70	4/20/4	Float	Pilkington K OW	Argon	Aluminium	PVC-U TI	C	-16	1.7
eurologik70	4/20/4	Float	SG Planitherm Total Plus	Air	Aluminium	PVC-U TI		-20	1.7

Energy Index performance – the Energy Index is a ranking system for the amount of energy lost or gained by window, measured in kWh/m²/year. Put simply, the more positive the number, the better the performance. You can see that PVC-U Thermal Inserts significantly improve Energy Index performance.

eurologik70 with steel** reinforcing performance table

System	Config	Glass 1 (External)	Glass 2 (Internal)	Gas Fill	Spacer Bar	Reinforcing	WER	Energy Index	U Value
eurologik70	4/20/4	SG Diamant	SG Planitherm Total Plus	Argon	Superspacer	Steel	A	3	1.4
eurologik70	4/20/4	SG Diamant	SG Planitherm Total Plus	Argon	Swisspacer V	Steel		1	1.5
eurologik70	4/20/4	Float	SG Planitherm Total Plus	Argon	Swisspacer V	Steel	B	-3	1.5
eurologik70	4/20/4	Pilkington Optiwhite	Pilkington K OW	Argon	Superspacer	Steel		-3	1.6
eurologik70	4/20/4	Float	SG Planitherm Total Plus	Argon	Aluminium	Steel	C	-13	1.6
eurologik70	4/20/4	Pilkington Optiwhite	Pilkington K OW	Argon	Aluminium	Steel		-14	1.8

Thermalogik with PVC-U Thermal Inserts reinforcing performance table

System	Config	Glass 1 (External)	Glass 2 (Internal)	Gas Fill	Spacer Bar	Reinforcing	WER	Energy Index	U Value
eurologik70	4/20/4	SG Diamant	SG Planitherm Total Plus	Argon	Swisspacer V	PVC-U TI	A	11	1.3
eurologik70	4/20/4	Float	SG Planitherm Total Plus	Argon	Swisspacer V	PVC-U TI		7	1.3
eurologik70	4/20/4	Pilkington Optiwhite	Pilkington K OW	Argon	Superspacer	PVC-U TI		4	1.5
eurologik70	4/20/4	Float	Pilkington K	Argon	Superspacer	PVC-U TI	B	-2	1.5
eurologik70	4/20/4	Float	SG Planitherm Total Plus	Argon	Aluminium	PVC-U TI		-7	1.5
eurologik70	4/20/4	Float	Pilkington K	Argon	Aluminium	PVC-U TI	C	-15	1.7

U values as low as 0.8 are possible* using the Thermalogik system. The above figures are based on a 28mm double-glazed unit. If you require further information, please contact our Technical Department on **01773 842100**.

*Dependent on glazing configuration

** Standard 'white' steel reinforcing configuration

Products made to last

Fully guaranteed for your peace of mind



All together better



Quality controlled manufacturing

Quality is carefully controlled and monitored throughout the manufacturing process of the **eurologik70** profile system. We have our own toolmaking and laminating facilities, manufacture in our own PVC-U compound mixing plant, giving us full control over product quality and consistency – right from the start.

High-performance products

Exposed to the elements, windows need to be hard-wearing, weather resistant and long lasting. The **eurologik70** window system will enable you to meet and exceed all of these requirements.

10-year guarantee

Eurocell Profiles Ltd, in conjunction with its raw material suppliers, guarantees for a period of 10 years all its white and laminated rigid PVC-U products against:

- ✓ Discolouration
- ✓ Warping
- ✓ Cracking

Provided all products have been fitted and maintained to the manufacturer's recommendations.

Main frames - Chamfered (Ovolo also available)

Chamfered Thermalogik frame EWS 7001
Ovolo code EWS 7701
Reinforcing EWS 800P

Chamfered main frame EWS 7021
Ovolo code EWS 7721
Reinforcing EWS 7521A, EWS 7621S, EWS 821P

Chamfered door sash 'Z' EWS 7018
Ovolo code EWS 7718
Reinforcing EWS 518A, EWS 618S, EWS 619S

Chamfered door sash 'T' EWS 7019
Ovolo code EWS 7719
Reinforcing EWS 518A, EWS 618S, EWS 619S

Chamfered large main frame EWS 7006
Ovolo code EWS 7706
Reinforcing EWS 506A, EWS 616S, EWS 631A, EWS 822S, EWS 831P

Chamfered transom 'T' EWS 7002
Ovolo code EWS 7702
Reinforcing EWS 502A, EWS 7502A, EWS 7621S, EWS 801P

Chamfered sash 'Z' EWS 7004
Ovolo code EWS 7704
Reinforcing EWS 7504A, EWS 7604S, EWS 805P

Main frames - Ovolo (Chamfered also available)

Ovolo sash 'T' EWS 7705
Chamfered code EWS 7005
Reinforcing EWS 7504A, EWS 7604S

Ovolo intermediate transom 'T' EWS 7722
Chamfered code EWS 7022
Reinforcing EWS 522A, EWS 622S, EWS 623S

Ovolo intermediate transom 'Z' EWS 7723
Chamfered code EWS 7023
Reinforcing EWS 522A, EWS 622S, EWS 623S

Ovolo tilt and turn EWS 7707
Chamfered code EWS 7007
Reinforcing EWS 507A, EWS 7607S

Ovolo transom 'Z' EWS 7703
Chamfered code EWS 7003
Reinforcing EWS 501A, EWS 7621S

Ovolo door mid-rail EWS 7709
Chamfered code EWS 7009
Reinforcing EWS 7509A

Cill sections and angles

150mm straight cill joint trim JT 150

90° internal angle cill joint trims JTA 90i

90°, 135° & 150° angle cill joint trims JTA 90E, JTA 135 & JTA 150

Cill extender EWS 118

85mm Cill end caps ECA 85

150mm - 180mm Cill end caps ECA 150 / ECA 180

Cill reinforcement CR 27P

50mm Adjustable angle AA50

70mm Adjustable angle AA70

Window board retaining trim EWS129

Window board trim end cap EWS229

85mm A type cill AS 85

150mm A type cill AC 150

180mm A type cill AC 180

Steel components

EWS 616S

EWS 623S

70mm fixing cleat EWS 612S

EWS 622S

EWS 7607S

EWS 618S & EWS 619S punched

EWS 7604S

EWS 7621S

PVC-U Thermal Inserts

EWS 800P

EWS 801P

EWS 805P

EWS 821P

EWS 831P

Decorative features

Mock sash horn kit EWS 7901
Ovolo also available EWS 7902

Arch top inserts EWS 7911 to be used with EWS 7705 & 7312
Ovolo also available EWS 7912 to be used with 7705 and 7312

Ancillaries, beads & gaskets

Reinforcing EWS 520A

Reinforcing EWS 520A

Reinforcing EWS 513A

Reinforcing EWS 506A

70mm square bay post EWS 120

Square bay post sculptured EWS 130

Bay pole EWS 109

50mm frame extension EWS 126

25mm frame extension EWS 106

15mm frame extension EWS 116

12.5mm frame extension EWS 104

Head vent EWS 135

160°-170° Adjustable bay post external capping EWS 121

135° -150° External angle capping EWS 113

Bay pole external trim EWS 124

Head drip EWS 101

Door drip bar EWS 102

Butt joint EWS 103

Bay pole adaptor EWS 105

Sculptured structural butt joint trim EWS 128

Bay pole internal trim EWS 123

Bay pole adaptor EWS 125

'T' Capping section EWS 107

Eurogroove cover EWS 112

Screw cap cover EWS 155

36mm bead EWS 7303

36mm ovolo bead EWS 7313

28mm bead EWS 7301

28mm ovolo bead EWS 7312

Ext/int finger gasket EWS 7402G

Low threshold EWS 435G

Aluminium components

EWS 501A

EWS 7502A

EWS 507A

EWS 7509A

Meeting style adaptor EWS 7512A

EWS 7504A

Drip bar fixing rail EWS 515A (EWS 102)

EWS 510A

Dummy sash packer EWS 7580A

Low threshold gasket retainer EWS 535A

EWS 518A

EWS 506A

EWS 513A

Bay pole Mk2 EWS 523A

EWS 7524A

EWS 520A

Low threshold EWS 7545A

160°-170° Adjustable bow post EWS 536A

150° bay post EWS 516A

135° bay post EWS 517A

EWS 531A

EWS 528A

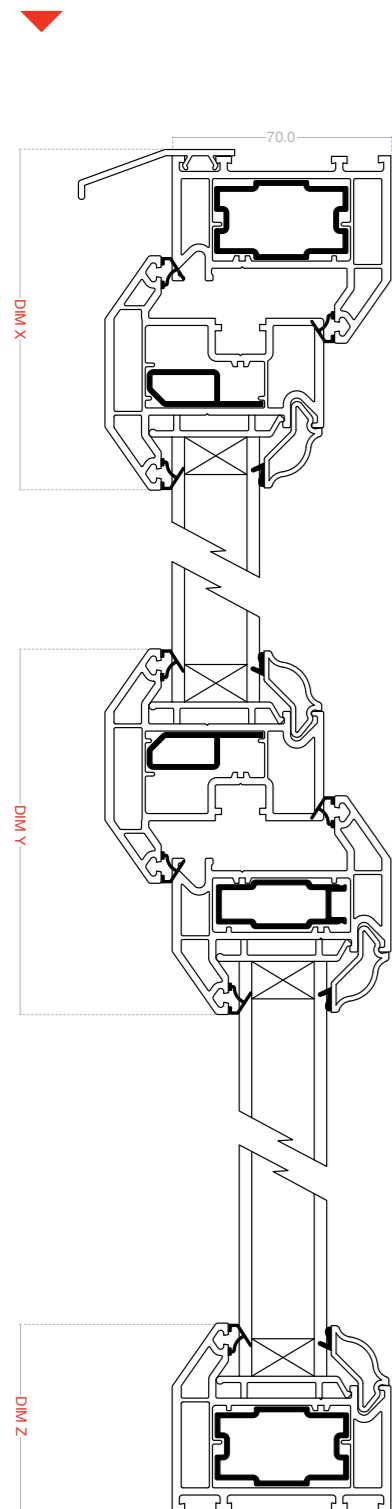
Low threshold ramp EWS 7547A

Low threshold tray EWS 7546A

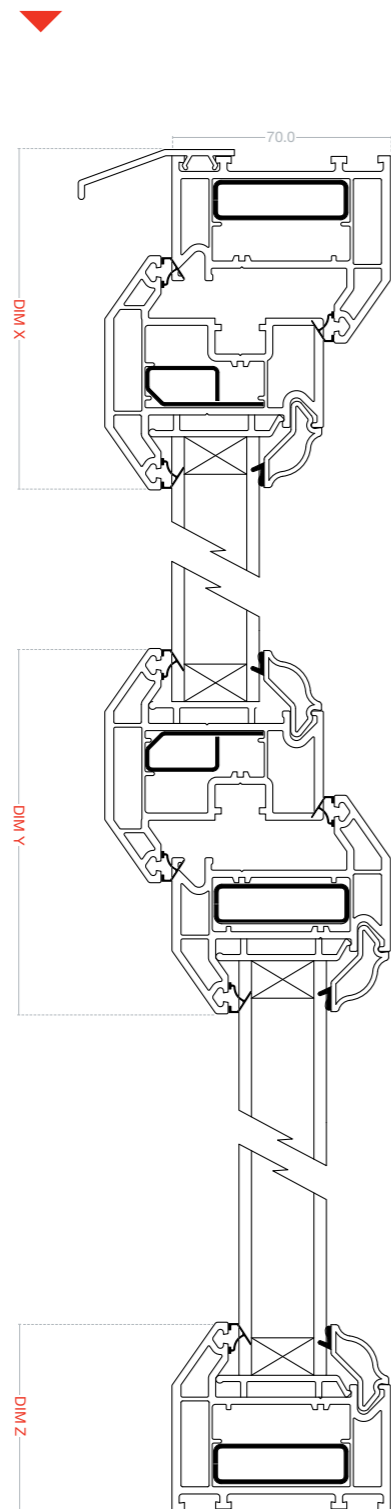
Casement windows

Technical information – outward opening, inward glazed

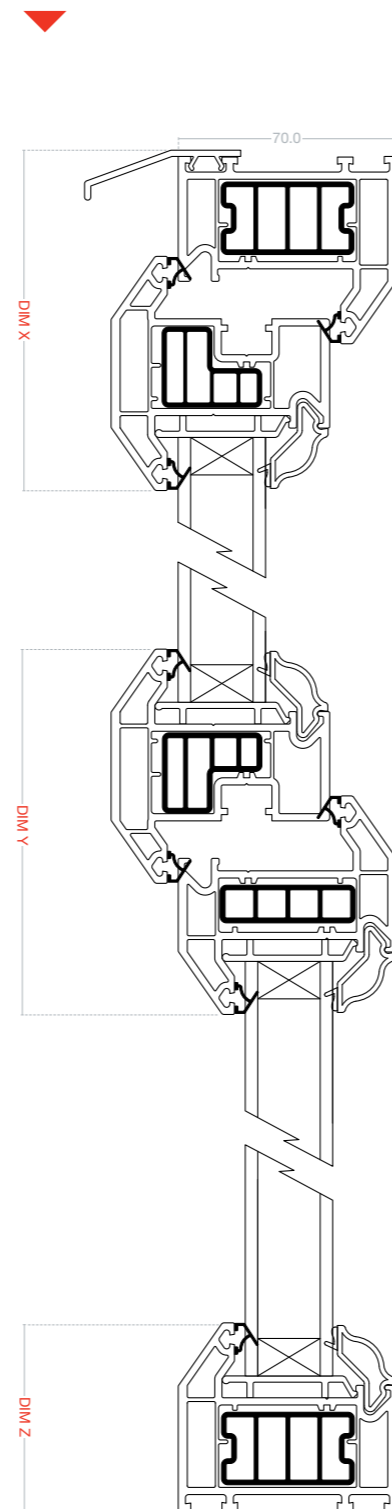
Aluminium Reinforcement option



Steel Reinforcement option



PVC-U Thermal Inserts Reinforcement option



Technical specification options

Frame / Dimension	Dimension X
Thermalogik outer frame (EWS 7001) with sash 'T' (EWS 7005)	97mm
Main frame (EWS 7021 with sash 'T' (EWS 7005)	107mm
Large main frame (EWS 7006) with sash 'T' (EWS 7005)	122mm

Frame / Dimension	Dimension Y
Sash 'T' (EWS 7005) with transom 'Z' (EWS 7003)	117mm
Sash 'T' (EWS 7005) with intermediate transom 'Z' (EWS 7023)	132mm

Frame / Dimension	Dimension Z
Thermalogik outer frame (EWS 7001)	50mm
Main frame (EWS 7021)	60mm
Large main frame (EWS 7006)	75mm

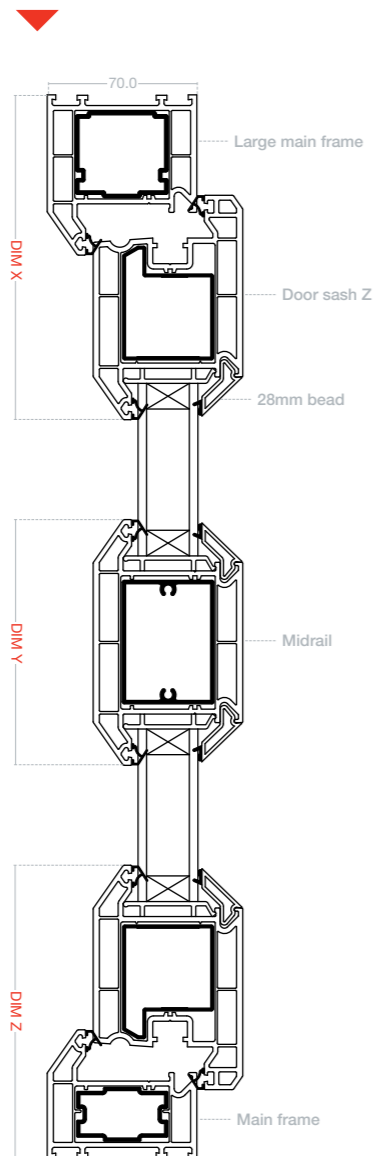


eurologik70 residential door

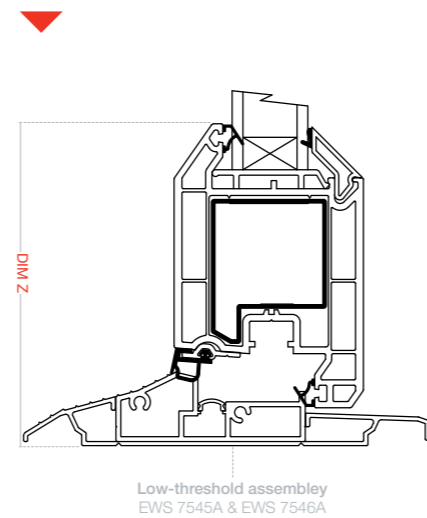
Technical information



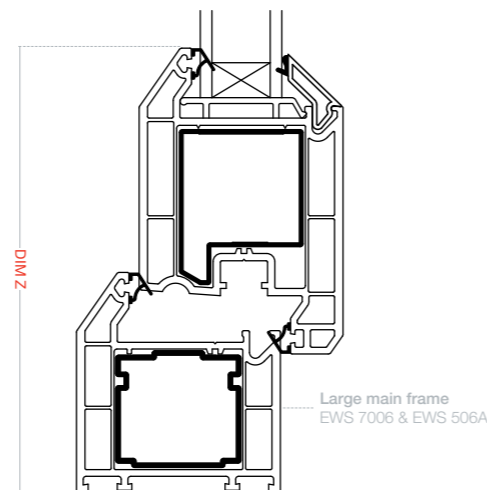
Typical inward opening, inward glazed, vertical cross-section



Option using low-threshold



Option using large main frame



Frame / Dimension	Dimension X
Main frame (EWS 7021) with door sash 'Z' (EWS 7018)	137mm
Large main frame (EWS 7006) with door sash 'Z' (EWS 7018)	152mm

Frame / Dimension	Dimension Y
Midrail (EWS 7002)	70mm
Midrail (EWS 7022)	85mm
Midrail (EWS 7009)	115mm

Frame / Dimension	Dimension Z
Low threshold (EWS 7545A & 7546A)	119mm
Thermalogik outer frame (EWS 7001)	127mm
Main frame (EWS 7021)	137mm
Large main frame (EWS 7006)	152mm

Note: technical drawings are not to scale

Eurocell - the UK's leading PVC-U specialists



- ▶ Unique colour-match promise – we are the only brand to guarantee an exact colour match across our full range of window, door and roofline products
- ▶ Products specially designed for ease of fabrication and fitting – improving your productivity
- ▶ 125+ branches nationwide - at your convenience
- ▶ 10-year profiles guarantee assures you of high quality
- ▶ ISO14001 environmental management system accreditation
- ▶ ISO9001 quality accreditation

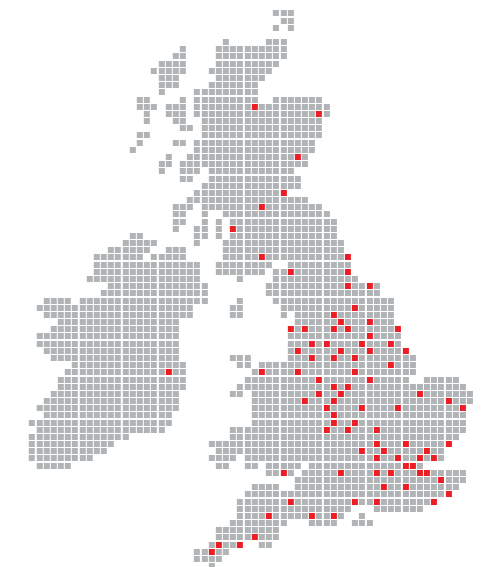


The UK's leading PVC-U specialists

As a leading manufacturer and distributor of quality PVC-U profiles, Eurocell offers precision-manufactured products and a complete one-stop-shop range for new-build and replacement projects.

Sustainable standard

To support our ongoing commitment to sustainability, Eurocell has achieved the ISO14001 environmental quality standard.



For news, views and offers, follow us online





All together better

For more information about **eurologik70** – a unique family of profiles designed for enhanced aesthetics and ease of fabrication – call our customer services team on **0800 988 3047**, or visit **eurocell.co.uk**

Eurocell plc, Fairbrook House, Clover Nook Road, Alfreton, Derbyshire DE55 4RF

For news, views and offers, follow us online

